

## PTM-923WDR

### Outdoor 23X Optical Zoom Wide Dynamic Range PTZ Dome Camera

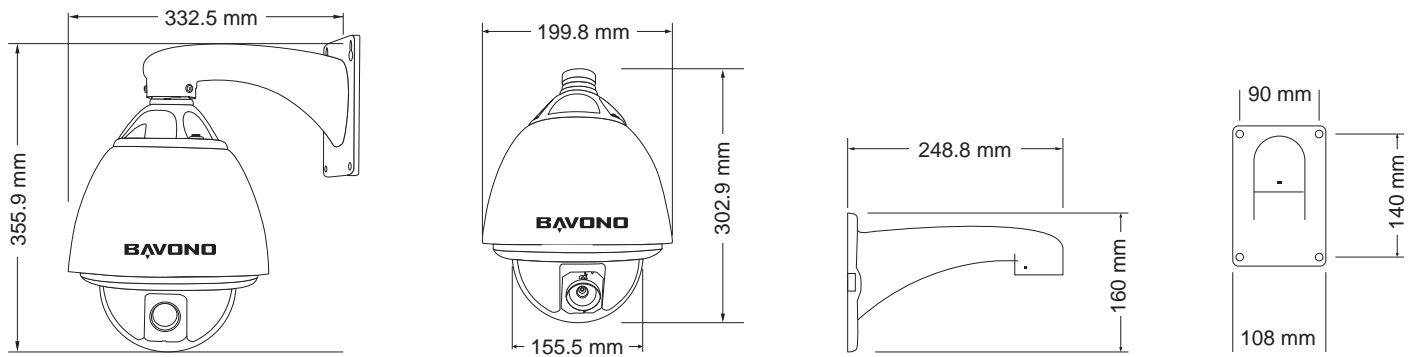
#### Features

- ▶ 1/4" EX-View HAD CCD
- ▶ Wide Dynamic Range
- ▶ More Than 540 TV Lines of Horizontal Resolution
- ▶ High Sensitivity. Minimum illumination of 0.003 Lux (Color) / 0.0001 Lux (B/W)
- ▶ Electronic Day/Night Function
- ▶ 23X Optical Zoom
- ▶ 4 Zones Motion Detection Function
- ▶ 8 Zones Privacy Masking Function
- ▶ Digital Noise Reduction for Reducing HDD Capacity
- ▶ Built-in OSD (On Screen Display)
- ▶ Power Supply: AC 24V



1/4" EX-View HAD CCD	WDR	540 TVL	0.003 Lux (Color) 0.0001 Lux (B/W)	Day / Night	23X Zoom	4 Zones	8 Zones	OSD
Image Sensor	Wide Dynamic Range	Resolution	Min. illumination	Sensor Mode	Digital Zoom	Motion Detection	Privacy Masking	Menu

## Dimensions



## Specifications

Model	PTM-923WDR
Video Standard	PAL
Image Sensor	1/4" EX-View HAD CCD
Effective Picture Elements	795 (H) × 596 (V)
Horizontal Resolution	540 TVL
Minimum illumination (approx.)	0.003 Lux (Color) / 0.0001 Lux (B/W)
Video Output Level	1.0 V (p-p) / 75 ohms, Composite
Video S/N Ratio	More than 52dB ( AGC Off )
Electrical Shutter	1/50 - 1/100,000 sec
Synchronizing System	Internal / Line Lock LL
Electronic Anti-shake (EIS)	On / Off
White Balance	ATW / Manual / Push
Auto Gain Control (AGC)	Off / Low / Middle / High
3D-Digital Noise Reduction (3D-DNR)	Off / Low / Middle / High
Day / Night	Color / B/W / Ext / Auto
Wide Dynamic Range (WDR)	On / Off
Sens-Up	On / Off
Optical Zoom	23X
Motion Detection	4 Zones
Privacy Masking	8 Zones
OSD Language	English / Chinese
Preset Positions	128 Preset
Fast Connect	RS-485
Protection Levels	IP66
Lens	Auto Iris Lens (3.3mm - 76mm)
Power Requirement	AC 24V
Operating Temperature	-10°C - +50°C
Storage Temperature	-20°C - +60°C
Humidity	0% - 80%
Installation Type	Wall Mount / Hanging
Mounting brackets	Optional